

4 BURNER GAS HOB ON ELECTRIC OVEN



- External paneling in stainless steel
- Moulded work surface, 1.2 mm thick
- Height-adjustable work surface from 855 to 900 mm
- Ergonomic control panel with controls tilted toward the operator
- Interchangeable, variable power main burners, hermetically sealed to the work surface
- Safety valves with thermocouple and pilot light
- Main burner ignition with permanent, power-saving pilot burner
- The pilot burner and thermocouple are protected against accidental impact and possible overflows
- Moulded work surface with rounded corners for improved cleaning
- Black enamelled cast iron grids; acid, alkaline and flame resistant, also compatible with small-sized boiling pans
- Burner power of 2x4kW and 2x8kW
- Standard electric oven, 6.2 kW power
- Heating with independently regulated top and bottom heating elements
- Electric oven base in steel
- Thermostat for temperature regulation between 50°C and 300°C
- 4-position switch and safety thermostat
- Cooking chamber dimensions, 693x300Hx580 mm GN 2/1
- Moulded inner door
- Indicator lights to monitor the correct operation of the appliance
- Height-adjustable stainless steel feet

TECHNICAL SPECIFICATIONS

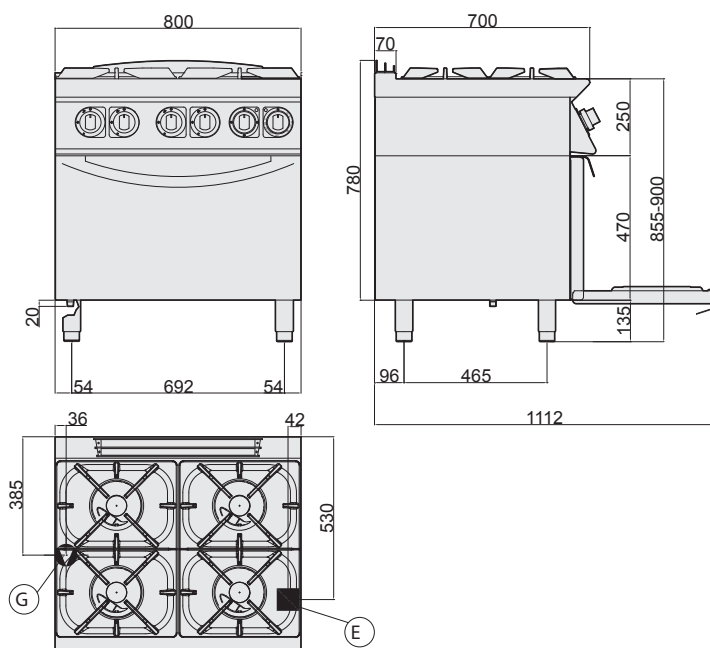
Dimensions (mm)	800x700x900
Volume (m ³)	0,90
Weight (kg)	140

GAS CONNECTION

kW	24
UNI ISO 7/1 R 1/2"	

ELECTRICAL CONNECTION

kW	6,2
Power supply	VAC 400/3N 50/60Hz
Cold water inlet	



- Ⓐ water fill
- Ⓒ hot water fill
- Ⓔ electrical input
- Ⓕ cold water fill
- Ⓖ gas inlet
- Ⓗ water drain

