

2 SQUARE PLATE ELECTRIC HOB ON OPEN BASE CABINET



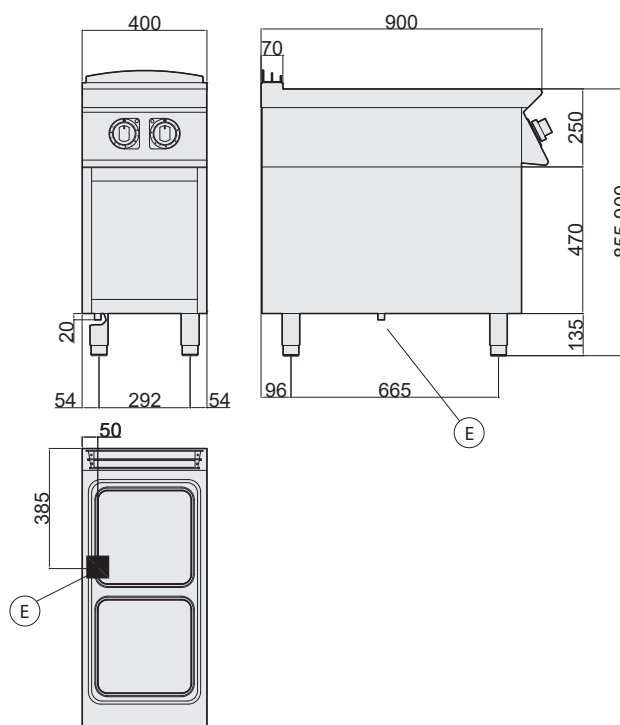
- External paneling in stainless steel
- Electric cooktop in AISI 304 stainless steel
- Moulded work surface in AISI 304, 2 mm thick, with raised edges to prevent spills.
- Height-adjustable work surface from 855 to 900 mm
- Square hot plates, 300x300 mm, in cast iron
- No. 2 hot plates, each 4kW, hermetically sealed to the work surface
- Heating regulation via 6-position selector
- Ergonomic control panel with controls tilted toward the operator
- Hot plates equipped with automatic reset safety thermostat, which activates in case of use without pans or with unsuitable pans
- Indicator lights to monitor the correct operation of the appliance
- Height-adjustable stainless steel feet

TECHNICAL SPECIFICATIONS

Dimensions (mm)	400x900x900
Volume (m ³)	0,60
Weight (kg)	75

ELECTRICAL CONNECTION

kW	8
Power supply	VAC 400/3N 50/60Hz
Cold water inlet	



- (A) water fill
- (C) hot water fill
- (E) electrical input
- (F) cold water fill
- (G) gas inlet
- (S) water drain