

ECG72

Combi Gas Oven - 7 GN 1/1_ 7GN 60x40



TECHNICAL FEATURES

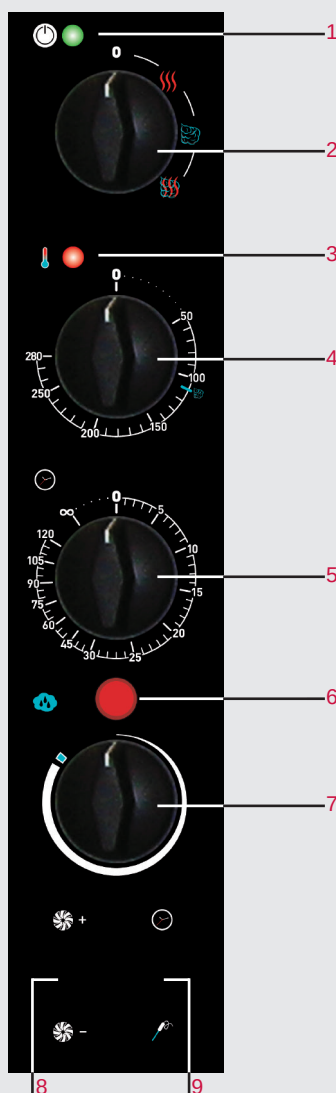
- Heating of cooking chamber with atmospheric gas burner.
- Adjustable fan speed in 2 position.
- Double-glazed ventilated door (panels can be opened for easy cleaning).
- AISI 304 cooking chamber with rounded corners.
- Height adjustable feet.
- Reversing motor rotation for even cooking
- Interior light.
- Extra power version

OPTIONS:

- ECG72S Version with core probe
- Optional rack for 60x40 trays.

USER INTERFACE:

ELECTROMECHANICAL CONTROL PANEL



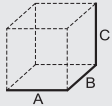
1. Power-on light.
2. Main switch .
 - Cooking modes: convection, steam, combi convection/steam. On-Off switch .
3. Heating-on light
4. Thermostat.
 - Temperature control from 50° to 280°C
5. Timer
 - Time control from 1' to 120' + infinite position.
6. Reset gas
7. Humidifier
8. Two fan speed switch
9. Core probe (on order)

Convection, steam, convection with steam in combi mode, humidification and dehumidification, cook with core probe, hold in temperature for overnight cooking.

These are the Easyair's functions, an oven line which is suitable to take either gastronomic and confectionery size trays and containers.

ECG72

Combi Gas Oven - 7 GN 1/1_ 7 GN 60x40

 (A x B x C) mm	VOL./PESO Vol./Weight m ³ /kg	VAC 230V-1N 50Hz (60 Hz optional) kW	POTENZA GAS CAMERA Oven cavity gas power kW	DISTANZA TRA LE TEGLIE Distance between the layers mm	DIM. CAMERA Cavity net dimension mm
870x786x879 7 GN 1/1 7 EN 60x40	0,82/ 130	0,3	16	74	645x600x450

ACCESSORIES

- Stand TSP1000
- Racks for stand TSP1000 cod. 2017692
- Proofer CLP0810
- Proofer CL900
- Proofer CL912
- Probe for sous-vide cooking 6000117
- Hand spray 7080003

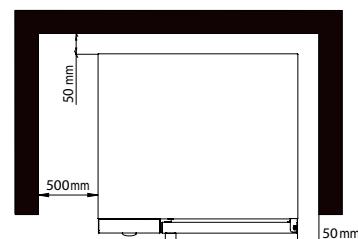
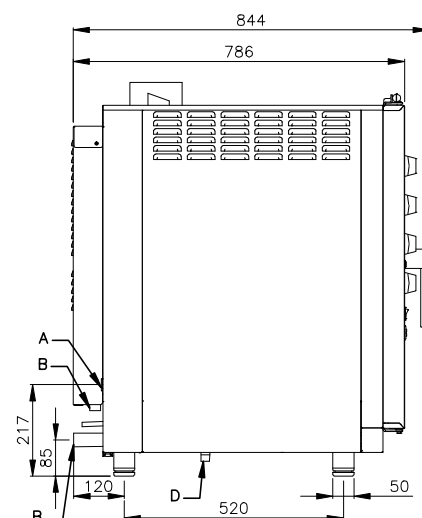
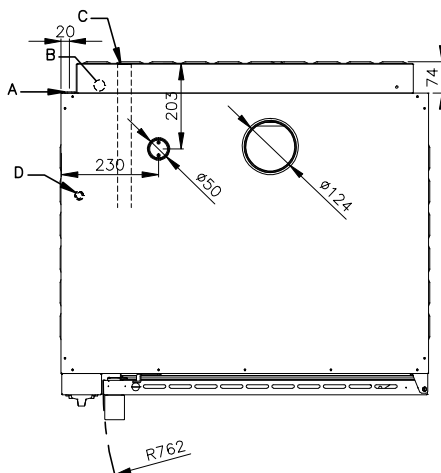
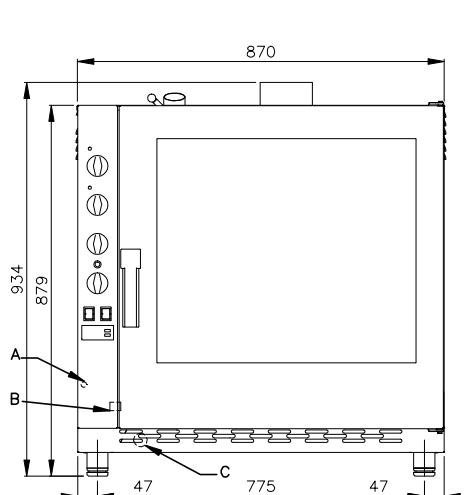
ACCESSORIES FOR PATISSERIE USE

- 2023824 racks 60x40 size 80.
- 2021519 racks 60x40 size 100

- A Electrical connection
- B Water inlet (G3/4)
- C Drain connection (Ø32)
- D Gas inlet (R1/2)

WATER QUALITY REQUIREMENTS

Hardness 60-100 ppm
TDS <100 mg/L
PH Value 7.0-8.0
Cl₂ Free chlorine..... <0,5 mg/L
Cl Chloride..... <20 mg/L
Alkalinity..... <20 mg/L
SiO₂ Silica..... <10 mg/L



* Clearance requirements

NOTE

* Drain line must be vented