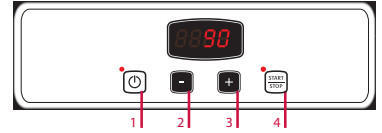
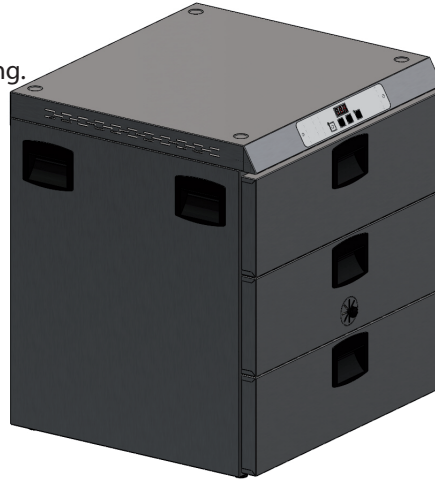




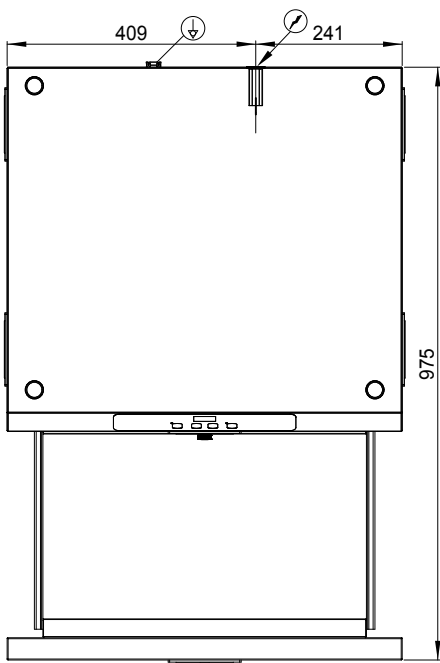
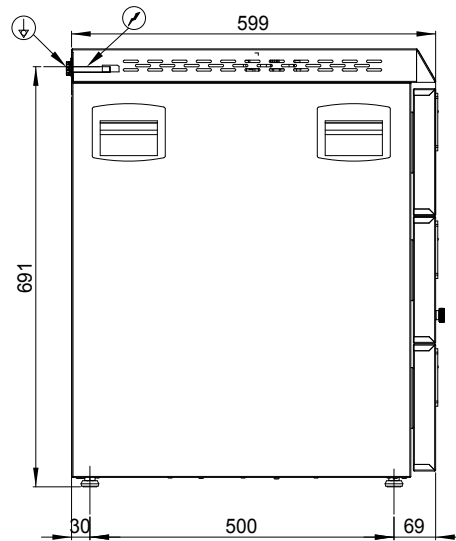
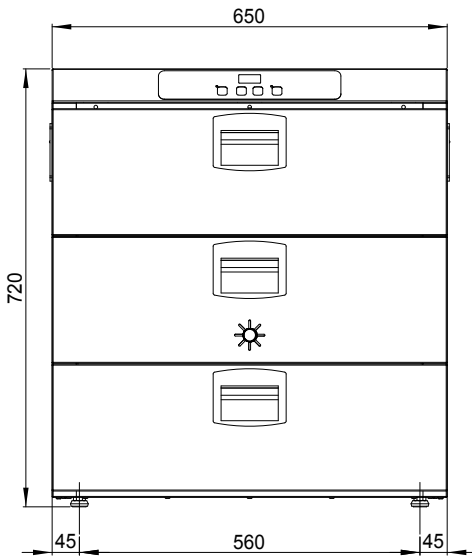
GM3CE

HOLDING OVEN 3 DRAWERS (1/1 GN) ELECTRONIC VERSION

- Aisi 430 oven chamber.
- Height-adjustable feet.
- Automatic preheating.
- Ergonomic handles to aid moving and bosses for stacking.
- Removable drawers



- 1** On/Off switch.
- 2** Increase temperature.
- 3** Decrease temperature.
- 4** Start/Stop cycle.



TECHINICAL DATA

- Dimensions: **650x599x720 mm**
- Volume: **0,28 m³**
- Weight: **40 Kg**
- Chamber capacity: **3 drawers x(1/1 GN)**
- Distance between drawers: **210 mm**
- Oven cavity power: **0,9 kW**
- Total electric power: **0,9 kW**
- Power supply voltage: **1N 230V AC-50Hz**