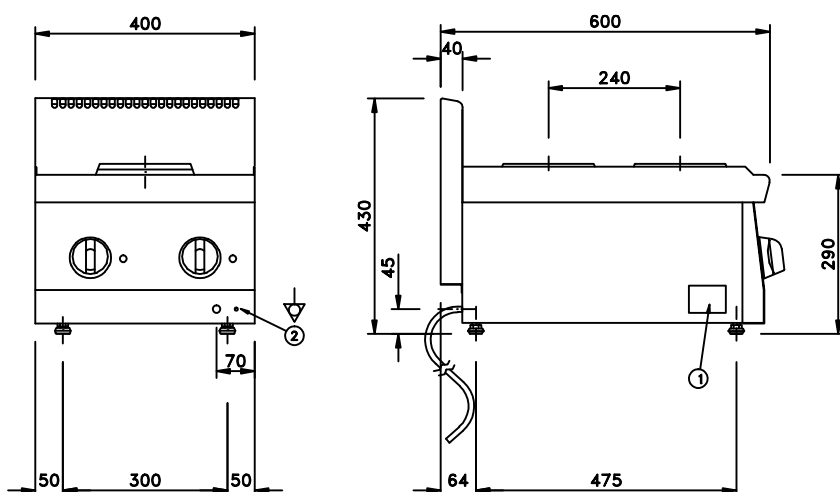


**LPE4721**
**ELECTRIC COOKING TOP 1/2MOD. 4KW/230V  
2 PLATES**


- Die-stamped top with raised edges to prevent spillage
- Electric rings with waterproofing system
- Continuous pan rest in AISI 304 stainless steel
- Pan support has a cover-all grate in cast iron
- 2 top plate  $\varnothing$  180 with 2,6kW
- 6-position knob
- Indicator light showing correct functioning


**GENERAL TECHNICAL DATA**

|                                   |                  |
|-----------------------------------|------------------|
| Package dimension (wxdxh)         | mm 470x720x520   |
| Weight                            | kg 21            |
| Power                             | kW 4             |
| Power supply voltage              | 1N 230 V 50/60Hz |
| Cooking top net dimensions(wxdxh) | mm 400x600x290   |